

IE-BRKOUT rev1.0

Revision notes


ZZ1

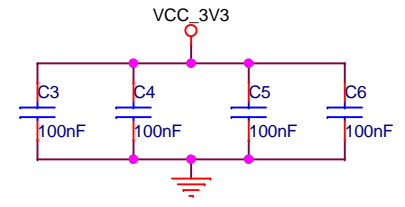
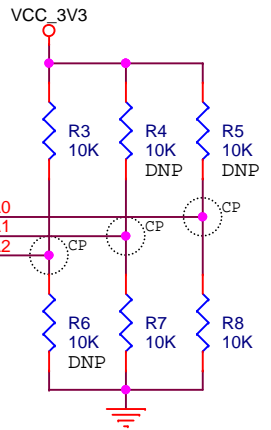
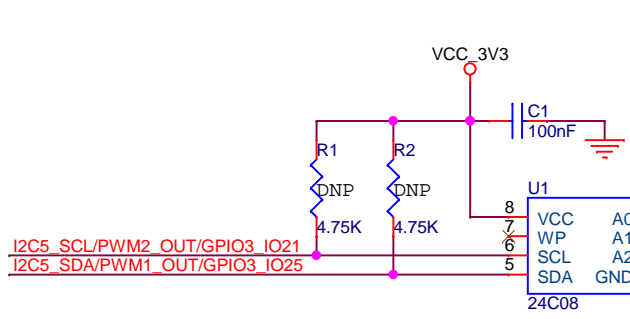
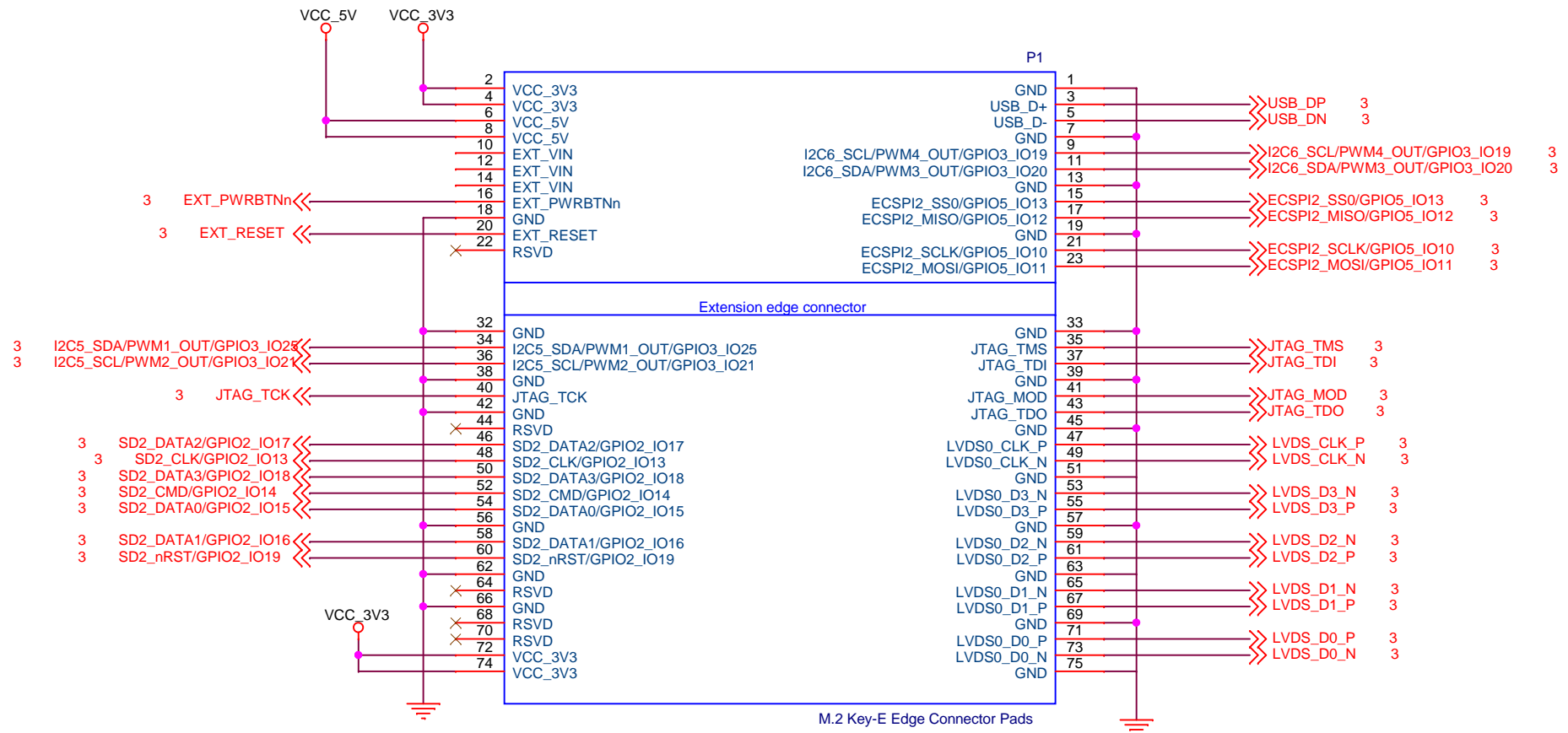
P/N = 188Z10030


PARSER_VERSION_1.0

PCB1

PCB, IE-BRKOUT, rev 1.0
P/N = 188C04110

		CompuLab Ltd. (972) 4 8238567 17 HaYetsira Street Yokneam Illit, Israel 2069208 All Right reserved. Unauthorized duplication prohibited
Size A	Title IE-BRKOUT 01. Index	Rev 1.0
Date: Tuesday, July 19, 2022		Sheet 1 of 3

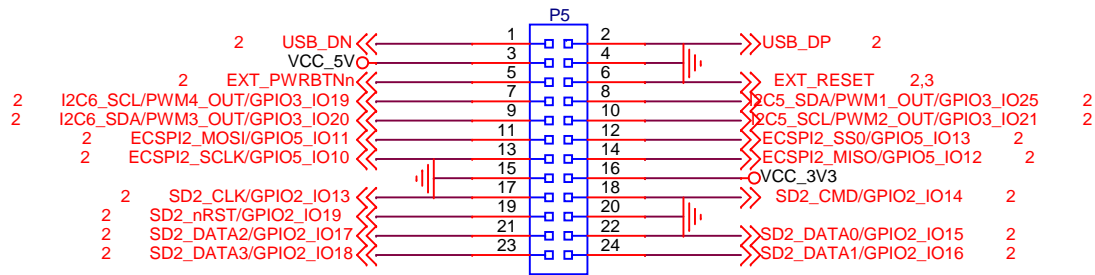




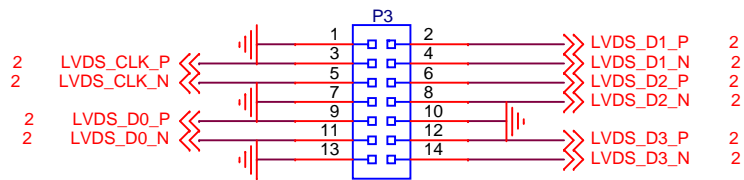
Compulab Ltd. (972) 4 8238567
 17 HaYetsira Street
 Yokneam Illit, Israel 2069208
 All Right reserved.
 Unauthorized duplication prohibited

Size A4	Title IE-BRKOUT 02. Edge connector	Rev 1.0
	Document Number: 8000083000	
Date: Tuesday, July 19, 2022	Sheet 2	of 3

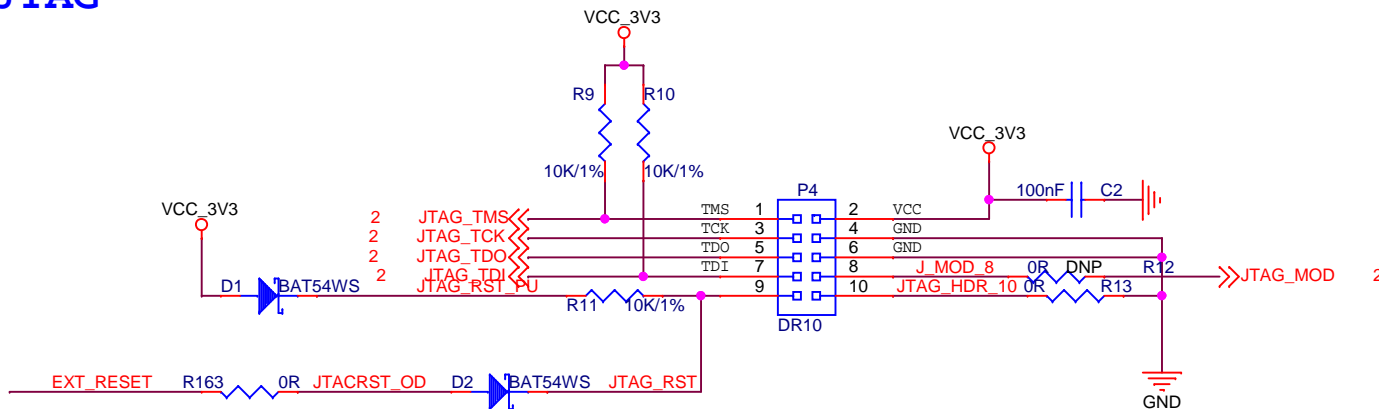
USB, SDIO, I2C, SPI, GPIO



LVDS



JTAG



		CompuLab Ltd. (972) 4 8238567 17 HaYetsira Street Yokneam Illit, Israel 2069208 All Right reserved. Unauthorized duplication prohibited	
		Size A4	Title IE-BRKOUT 03. Headers
Date: Tuesday, July 19, 2022		Document Number: 8000083000	Sheet 3 of 3