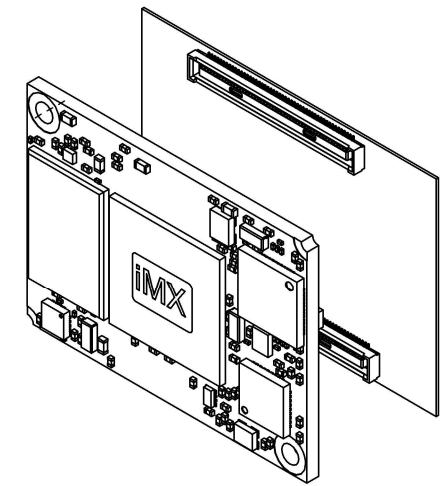
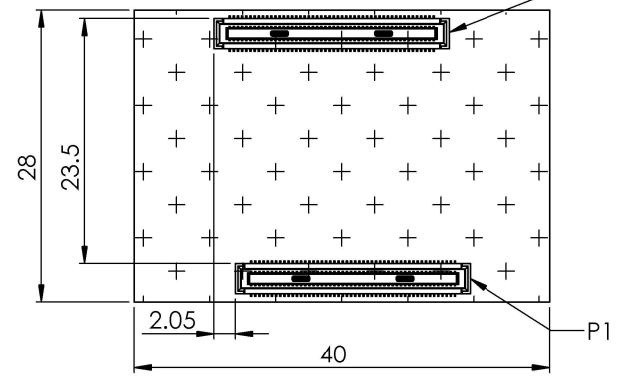


8 7 6 5 4 3 2 1

REVISIONS				
ZONE	REV.	DESCRIPTION	DATE	APPROVED
	1	INITIAL RELEASE	19/03/2024	

CARRIER BOARD VIEW P2



D
C
B
A

D
C
B
A

- NOTES:**
- HATCHED AREA SHOWS MAXIMUM UCM FOOTPRINT SIZE ON THE CARRIER BOARD.**
 - P1&P2 CONNECTOR P/N: HIROSE DF40C-100DS-0.4V**

PROPRIETARY AND CONFIDENTIAL

THE INFORMATION CONTAINED IN THIS DRAWING IS THE SOLE PROPERTY OF COMPULAB.
 ANY REPRODUCTION IN PART OR AS A WHOLE WITHOUT THE WRITTEN PERMISSION OF COMPULAB.

UNLESS OTHERWISE SPECIFIED:		NAME	DATE
DIMENSIONS ARE IN mm		DRAWN	Ben P. 19/03/2024
TOLERANCES:		APPROVED	Igor V 19/03/2024
FRACTIONAL: ± 0.2 mm			
ANGULAR: ± 1 deg			
TWO PLACE DECIMAL: ± 0.05 mm			
MATERIAL	17 HaYetzira St., Yokneam-Ilit, ISRAEL		
FINISH	Phone: 972 4 829-0139		
	Email: iotssupport@compulab.co.il		

Compulab

TITLE:
UCM SOM FAMILY

SIZE A3	DWG. NO.	REV 1
WEIGHT:		SHEET 1 OF 1

8 7 6 5 4 3 2 1